



## Doctor Machine® Model 152 LT



### Key Features

- Cantilevered design
- Reversible winding
- Touch screen controls
- Taper tension
- 1/8 to 1 1/2 PLI (0.219 to 2.627 N/cm)
- Two-motor AC Vector drive system
- 30" (762 mm) web width; Wider web-widths available
- 30" (762 mm) unwind & rewind; diameters. Larger diameters available
- 500 lb (227 kg) roll weight; Heavier roll options available
- 1500 FPM (457 m/min) operation
- Razor or shear trimming
- Rider roll for density control

Barry-Wehmler

ACCRAPLY®

ACCRAPLY®

Stanford

Trine

Graham

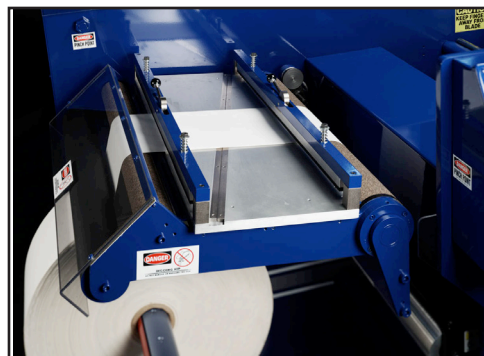
# Doctor Machine®

## Model 152 LT

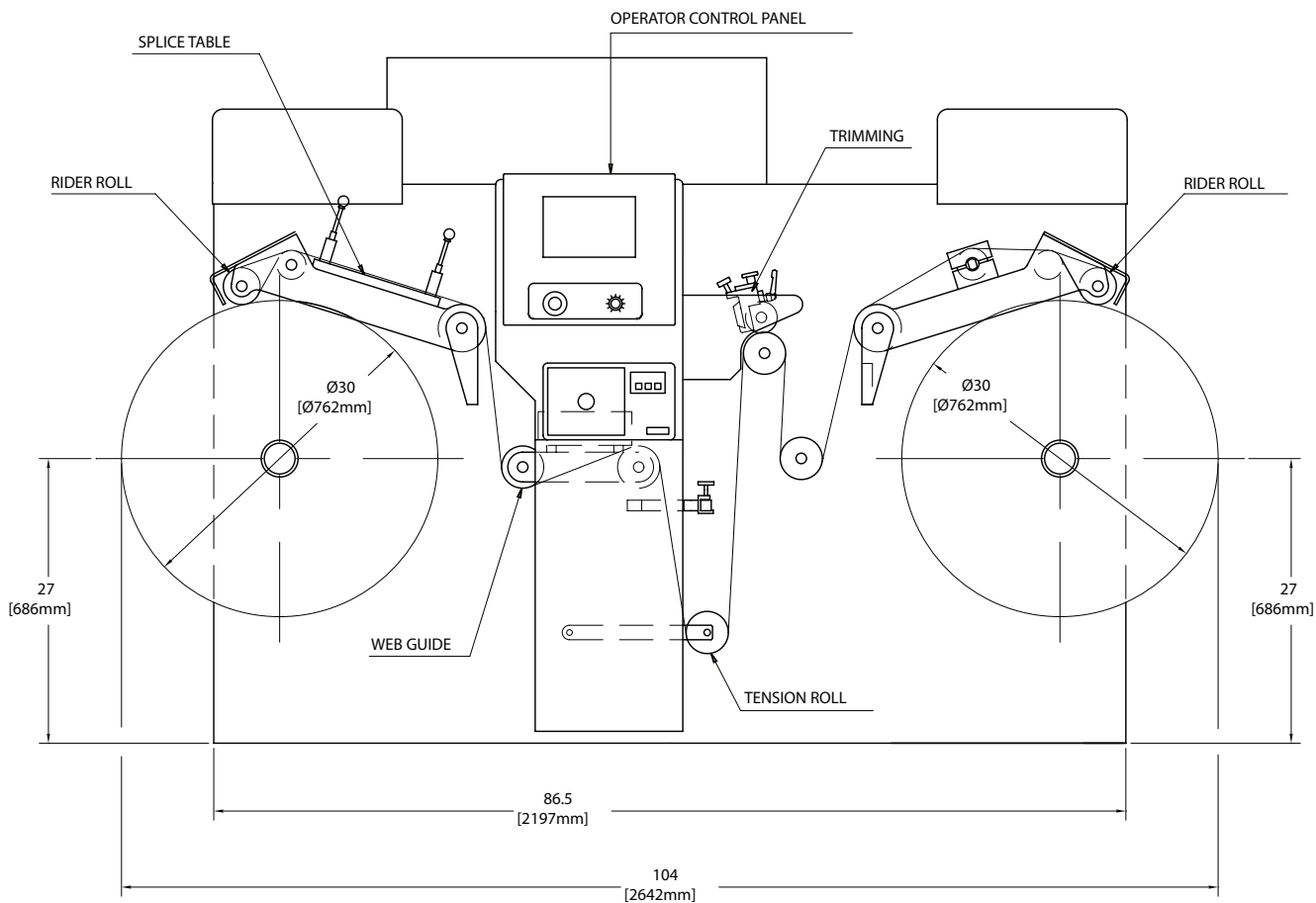
The Stanford Model 152 LT Reversible Doctor Machine® is highly versatile, offering tension ranges form 1/8 to 1 1/2 PLI (0.219 to 2.627 N/cm). It is used to remove defective printing, repair splices, re-tension and edge-guide rolls of defective material. The 152 LT is suitable for a wide range of materials including: light films, film laminates, non-wovens and light papers.

A two motor AC Vector drive system allows operation to 1500 FPM (457 m/min). The 152 LT's touch screen control panel defines 'user friendly' and clearly displays all running parameters during operation.

Accraply engineers the world's largest selection of Doctor Machines®, as well as a complete line of duplex differential slitter rewinders and shrink sleeve finishing equipment.



**Stanford Sales Office**  
 1139 South Broadway  
 Salem, IL 62881 USA  
 +1 (618) 548-2600



**Accraply, Inc.**

A BARRY-WEHMILLER COMPANY

3580 Holly Lane North, Plymouth, MN 55447-1269 USA • +1 (763) 557-1313  
 sales@accraply.com • www.accraply.com