



Accraply

A Barry-Wehmler Packaging Company

High Speed Panel and Wraparound Labeling System

Model 9000PW



Features

- Heavy-duty construction utilizes oversized drive components combined with an aluminum and stainless steel base frame for years of dependable service
- Adjustable variable speed conveyor
- Quick “no-tools” adjustments with position indication for fast, repeatable changeover
- Various product infeed systems are available that provide precise product spacing and orientation
- Centrally driven overhead stabilizer belt provides large finishing area and zoned pressure system to compensate for container height variation
- Convenient, centralized pivoting operator interface controls, and touch screen
- Multi-positional, line-driven wraparound assembly for cylindrical applications
- Advanced high torque servo driven applicators include ratio-offset and speed-following capability for accurate and reliable application of a wide variety of label materials
- Drop-in-from-the-top label threading with quick release rewind reel core
- Contour following label peelers provide excellent finish on oval containers

Model 9000PW High Speed Panel and Wraparound Labeling System

The Accraply Model 9000PW is an extremely versatile labeling system designed for the application of wraparound labels on cylindrical containers as well as front and/or back panel labels on square, rectangular, or oval containers. With the optional multi-panel wiper assemblies, the Model 9000PW can also apply two, three or four panel labels.

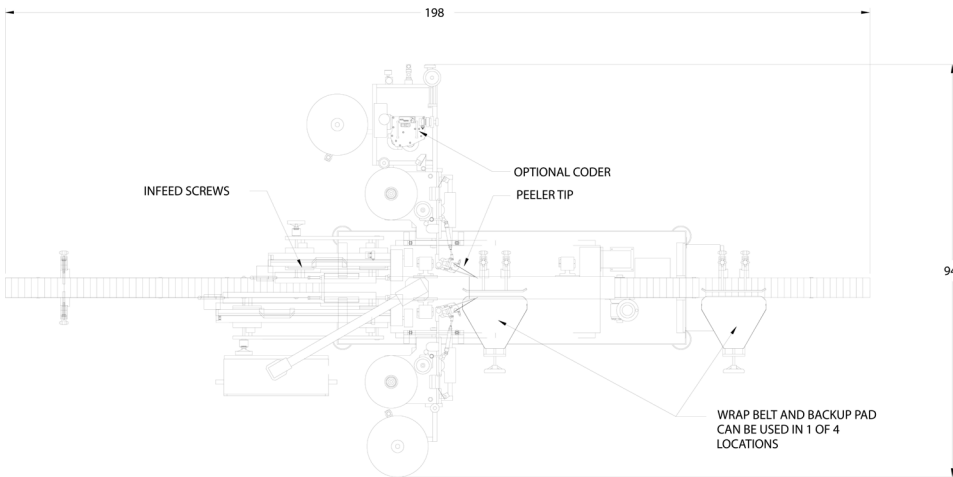
Rugged construction for demanding, continuous-duty operation; quick, easy changeover capability from one product to another; and proven technology make this system an exceptional value.

Applicator Options

- Additional peeler plates
- Hot stamp or other printers
- Remote printer temperature control
- Product counter
- Low and broken web and printer ribbon detection packages – any combination of audio alarm, visual alarm, and conveyor stop
- Free-standing powered label unwinds
- Splice Detector
- Clear label sensor, non-contact
-

Machine Options

- Integration inspection system
- Additional emergency stop switch
- Additional timing screw
- Product rate monitor
- Spare parts kit
- Inspection & eject options
- Validation assistance package
- Label and product inspections



Application Rate	Up to 3000" (7620 cm) per minute
Production Rates	Up to 600 containers per minute depending on product and label size
Electrical Requirements	220VAC, Single Phase, 60 Hz, 15 Amp Service
Air Requirements	60 PSI
Product Conveyor	4.5" wide flush sided flat ground top plate
Product Capacity	Length: 1.25" (32 mm) to 6" (152 mm) Width: 1" (25 mm) to 4" (101 mm) Height: 3.5" (89 mm) to 12" (305 mm)
Label Capacity	16" Rolls, 3" Cores Length: 0.5" (13 mm) to 6" (152 mm) Height: 0.5" (13 mm) to 6" (152 mm)

** All specification and tooling requirements are subject to Accraply evaluation of all label and product samples. Specifications shown reflect standard machine capabilities. Accraply can also meet other specification requirements. Please call for details.*

Accraply

Trine

Stanford

Graham

Sleevit

Harland

BW Packaging Systems represents the collective capabilities of Barry-Wehmiller packaging companies including, Accraply, BW Flexible Systems, BW Integrated Systems, Pneumatic Scale Angelus and Synerlink. Through their diverse capabilities, these companies can collectively provide everything from a single piece of equipment to fully integrated packaging systems for a wide range of industries, including: food and beverage, personal care, container manufacturing, pharmaceutical and medical devices, household products, paper products and textiles, industrial and automotive, and converting, printing and publishing. For more information, go to BWPackagingSystems.com

