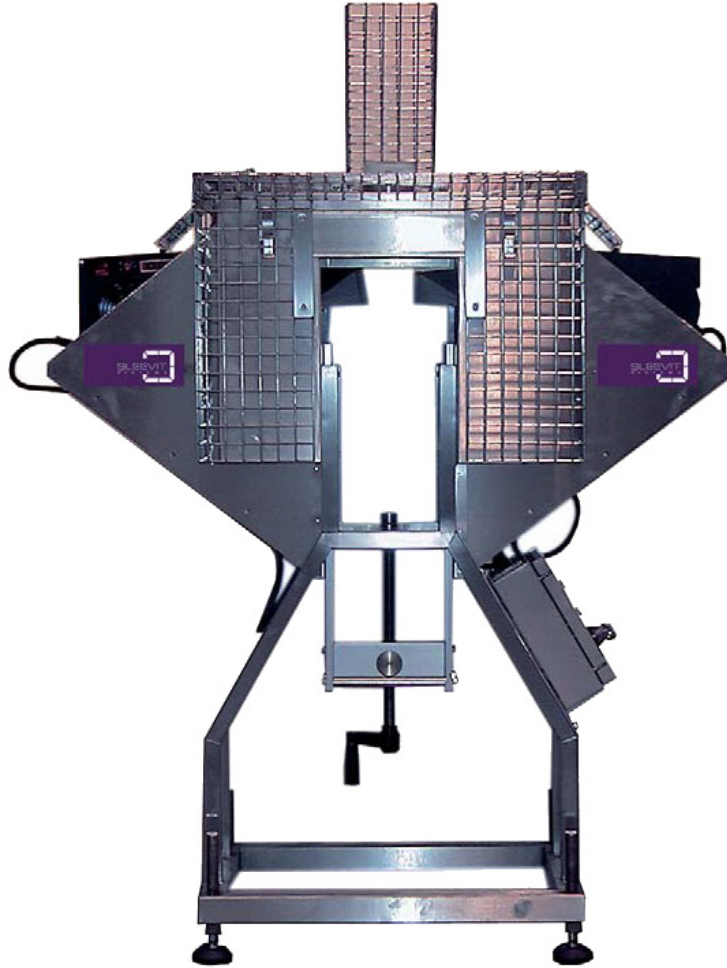




ShrinkMaster Lite



Features

- Ideal for Low to Medium speed tamper-evident applications
- Directional hot air shrinking up to 7.5 Kw
- Insulated & guarded chassis
- Fully adjustable fan tail shrink nozzles
- Low running cost. (max 13 amps / phase)
- Adjustable air flow and temperature
- Simple screw adjustment for height
- Supplied complete with fused disconnect box
- Can be used in series for hi speed or more complicated applications

Graham | Sleeveit - ShrinkMaster Lite Hot Air Tunnel

High Quality, Low Cost Shrinking Systems.

The introduction of the Accraply SleeveMaster Lite sleeve applicator highlighted a requirement for a shrink tunnel to match, both in terms of performance and market position.

Accraply designers have used the performance of the leading industrial equipment to produce the ShrinkMaster Lite shrink tunnel, a fully adjustable and insulated shrink tunnel that is capable of shrinking any container handled by a SleeveMaster Lite applicator.

The width of the ShrinkMaster Lite shrink tunnel is adjustable so that it can be mounted on Accraply or customer's conveyors. The height and angle of the ShrinkMaster Lite shrink tunnel are also adjustable to suit the container and sleeve position. The ShrinkMaster Lite shrink tunnel can also be supplied on an adjustable, free-standing base.

The body of the ShrinkMaster Lite shrink tunnel is made from stainless steel and is insulated on its inner surfaces and shrouded in stainless steel mesh on its outer surfaces to protect operators. Provision is made on the top the body for an exhaust duct to be fitted and enable the waste hot air to be extracted. As a result, tunnel heat losses are minimised, tunnel heat up times are reduced and local ambient temperature rise is minimised.

ShrinkMaster Lite heat tunnels are just one of the Accraply range of Sleeve and Label Applicators, Electric and Steam Shrink Systems and container handling devices which form part of the widest range of sleeving systems available in the market.

Specially designed application and shrinking systems from this range of equipment are available to suit almost any customer requirement. Accraply has over 20 years of in-depth experience in the container decoration field.



Tunnel Type:	Hot Air
Conveyor Height min/max:	900 mm/1000 mm [35.34 inch/39.37 inch]
Container Height min/max:	50 mm/300 mm [1.97 inch/11.81 inch]
Container Diameter min/max:	20 mm/150 mm [.79 inch/5.91 inch]
Nozzles:	4
Nozzles length:	300 mm [11.81 inch]
Electrical:	415 VAC, 3 Phase, 17 Amps
Weight:	100 kg [220.46 lbs]
Steam Requirements:	N/A

** All specification and tooling requirements are subject to Accraply evaluation of all label and product samples. Specifications shown reflect standard machine capabilities. Accraply can also meet other specification requirements. Please call for details.*

Accraply

Trine

Stanford

Graham

Sleeveit

Harland

BW Packaging Systems represents the collective capabilities of Barry-Wehmiller packaging companies including, Accraply, BW Flexible Systems, BW Integrated Systems, Pneumatic Scale Angelus and Synerlink. Through their diverse capabilities, these companies can collectively provide everything from a single piece of equipment to fully integrated packaging systems for a wide range of industries, including: food and beverage, personal care, container manufacturing, pharmaceutical and medical devices, household products, paper products and textiles, industrial and automotive, and converting, printing and publishing. For more information, go to BWPackagingSystems.com

