

Eclipse



Features

- The Latest Motion Control Technology ensures accurate control of both product and label dispensing function while
- The vertically mounted label head reduces the overall footprint of the machine and offers maintenance friendly access to all drive components.
- Servo Driven Product Handling Turret providing smooth, efficient handling of the product through the application process.
- The Eclipse turret change part is completely tool-less and is designed to incorporate all normal changeover adjustment necessary to match the product diameter in one single piece.
- Single Pendant Mount Human Interface accesses machine controls through multi-level "menus" and "recipes". Multi-level passwords allow security code protection to prevent unauthorised adjustments.
- Standard Peripherals incorporate a number of options for variable data marking, together with a choice of inspection systems to verify anything from basic print presence through to full Optical Character Recognition (OCR).
- Standard Validation Package meeting all current regulatory requirements is available.

Eclipse Self-Adhesive Labelling System

High-Speed Ampoule/Vial Labeller

Developed specifically for the Pharmaceutical industry the Harland Eclipse has been designed to handle high speed partial or full wrap label applications on ampoules or vials.

Packed with the latest technology, the Harland Eclipse Ampoule/Vial Labeller is specifically designed to meet the needs of the Pharmaceutical industry.

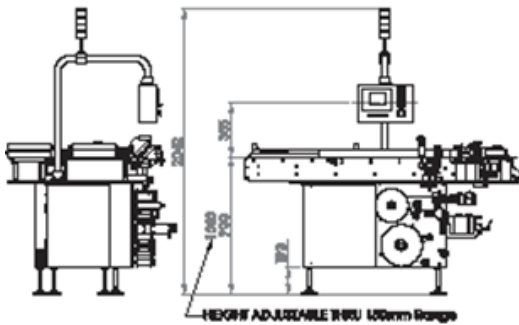
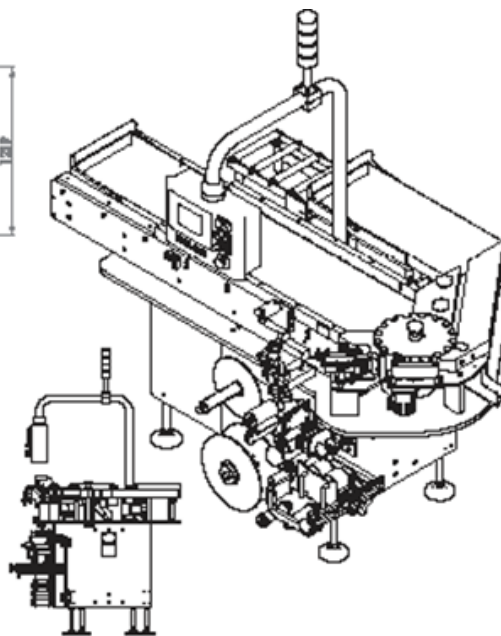
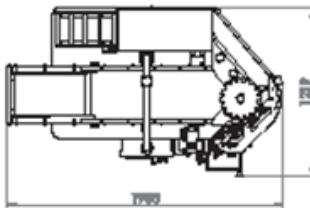
Developed to address stringent GMP requirements and quick changeover times the Eclipse is designed for both stand-alone or production line use.

Technical Specifications

- Base Unit: Clean design, anodised aluminium main plate on stainless steel clade base unit incorporating either Rockwell or Siemens control system .
- Product Handling: Manual tray unload station, crawler conveyor feeding servo turret, semi-automatic tray reload with tray full detection.
- Wrap: Motion controlled wrap belt unit.
- Label Head: Vertical mounted motion control label head with speeds up to 300ppm.
- Finishing Units: Servo-driven walking beam forming module.

Production Rates	Up to 300 products per minute depending on product and label sizes.
Electrical Requirements	230 V single phase AC, 50/60 Hz. Special electrical options available on request.
Air Requirements	Air required for some overprinters and security systems.
Weight	As standard 290 kg
Product Capacity	Maximum Diameter: 30 mm Minimum Diameter: 10 mm Maximum Height: 80 mm Minimum Height: 40 mm
Label Capacity	Maximum Web Width: 95 mm Minimum Web Width: 50 mm

**All specification and tooling requirements are subject to Accraply evaluation of all label and product samples. Specifications shown reflect standard machine capabilities. Accraply can also meet other specification requirements. Please call for details.*



Plan View (All dimensions in mm)

Front View (All dimensions in mm)

Accraply

Trine

Stanford

Graham

Sleevit

Harland

BW Packaging Solutions consist of Accraply, BW Container Systems, Design Group, Paper Converting Machine Company, Pneumatic Scale Angelus, Thiele Technologies and Synerlink. Through their diverse capabilities, these companies can collectively provide everything from a single piece of equipment to fully integrated, tailor-made packaging line solutions for a wide range of industries, including: food and beverage, personal care, container manufacturing, pharmaceutical and medical devices, household products, paper products and textiles, industrial and automotive, and converting, printing and publishing.

BWPackagingSolutions.com

