

Harland Neptune Labeling System



Features

- Environment-proofing using special stainless steel construction. Electrical/electronic cabinets, consoles, push buttons, motors are dust & water ingress protected to IP Code 65/NEMA 4X.
- Containment traps and drain holes to dissipate water. Effective sealing of all mechanical and electrical joints.
- Essential cleaning is facilitated by the aseptic design and construction of the system which can be entirely hosed down with impunity with water and cleaning fluids.
- User-friendly controls within stainless steel control boxes are ergonomically positioned to suit individual operators. Clear sealed plastic doors ensure maximum display visibility.
- 'Harland Comet' label heads with a simple quick-change facility and special locking collets.
- Label head adjustability effected through a robust controlled height & tilt mechanism. Fine adjustments, in two planes.
- Maximising uptime is achieved via the quick changeover between products or to replace a label reel.
- Conveyor unit is self-motorised and constructed with an open base to allow the throughput of sterilising fluid. Slatband and wear strips are made from resilient plastic and are easily cleaned.

Harland Neptune Self-Adhesive Labeling System

Aseptic, High-Speed, Multi-Purpose PS-Labeling Machine

Developed as a 'clean sheet design', these purpose-built motion controlled PS-labellers can withstand the rigours of such wet and production lines, giving assured, efficient and reliable operation around the clock.

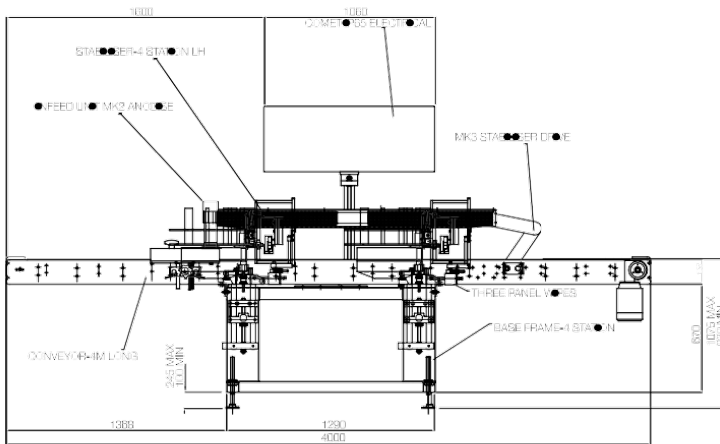
A robust, user-friendly, fast and 'hoseable' system. Available as a 4 station machine or with 2 stations, 'Neptune' is the industry leader where line efficiency and cleanliness are essential.

Technical Specifications

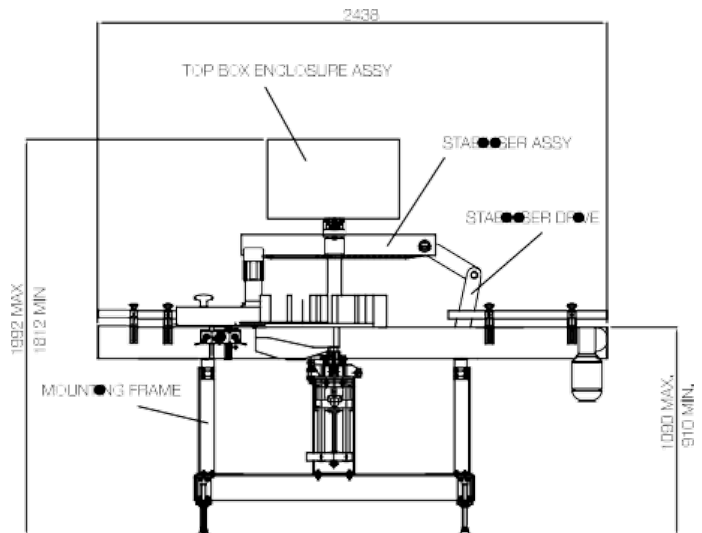
- Base Unit: 2 Station or 4 Station.
- Label Heads: Comet IP65/NEMA 4X, HS/HT/Servo, 4 heads maximum.
- Stabiliser: 2 Station or 4 Station.
- Conveyor: 2 Station: 2468 mm 4 Station: 4000 mm.
- Finishing Units: 3 panel, wraparound, powered wipes.

Production Rates	Up to 420 products per minute depending on product and label sizes.
Electrical Requirements	220V/240V single phase AC, 50/60Hz. Special electrical options available on request.
Weight	2 Head 350kg, 4 Head 450kg
Product Capacity	Maximum Width: 140 mm Maximum Height: 300 mm

**All specification and tooling requirements are subject to Accraply evaluation of all label and product samples. Specifications shown reflect standard machine capabilities. Accraply can also meet other specification requirements. Please call for details.*



4 Station (All dimensions in mm)



2 Station (All dimensions in mm)

Accraply | Trine | Stanford | Graham & Sleeveit | Harland

Accraply

9350 W Broadway Avenue, Suite 190
Minneapolis, MN 55445 USA

+1 (763) 557-1313
accraply.com

