

Trine 4600 Labeling Systems



Features

- Servo-driven label registration compensates for label length variations
- Enhanced vacuum capability improves label control
- Reinforced frame minimizes machine vibration
- Small footprint takes up minimal space
- Allen-Bradley PLC and touch screen
- Vertical power unwind
- Web tracker
- Quick change components reduces changeover time and improves bottle control
- Auto lube
- Dual chain
- Dual vacuum
- Industry's strongest field service organization reduces downtime
- Accraply quality and performance

Trine 4600 Roll-Fed Labelling System

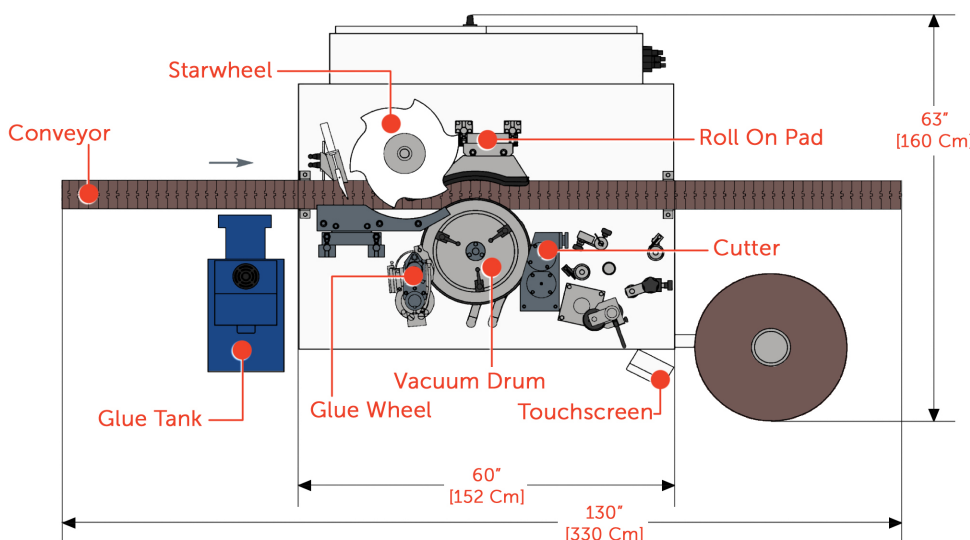
Maximizing your Production...

The 4600 roll fed wraparound system is based off the industry standard Model 4500. Designed with the same 30% smaller footprint, the 4600 provides labeling speeds up to 400 cpm (28,500bph). Equipped with advanced quick change parts and positioning indicators for key components, a product changeover can take one person less than 20 minutes guaranteed. The 4600 incorporates the latest label control, glue application, and bottle control technologies. With advanced technology, faster changeovers, and affordable change parts, the 4600 is ideal for maximizing return on investment in demanding environments.

With applications in beverage, food, pharmaceutical, cosmetic, dairy, aerosol and nutritional product industries, Trine roll fed labeling systems have proven their versatility. Trine roll fed labelers provide ongoing savings by replacing higher-cost cut and stack labels. With over 2000 systems currently labeling brands such as Coke and Pepsi, you too can rely on Trine labelers.

Options

- Allen Bradley PLC and touchscreen
- Discharge stabilizer system
- Automatic lubrication system
- Upgrade to CE standards
- Custom product handling
- Additional options available. Contact an Accraply representative for more information.



Maximum Speed:	400 Containers per Minute
Repeat Length:	6.5" to 16.5" [1.53.4mm to 419.1mm]
Web Width:	1" to 8.25" [25.4mm to 209.6mm]
Diameter:	1.75" to 5" [44.5mm to 127mm]
Air	80 psi (5.52 bar), 12-15 cfm (340-425 L/min)
Electrical:	240 VAC, 3-Phase, 50/60hz
Weight:	3,900 lbs [1,769 kg]

** All specification and tooling requirements are subject to Accraply evaluation of all label and product samples. Specifications shown reflect standard machine capabilities. Accraply can also meet other specification requirements. Please call for details.*

Accraply's Gold Standard of Service

"We commit to deliver the highest level of customer care driven by our passion to provide the best customer experience in everything we do."

Accraply | Trine | Stanford | Graham & Steevit | Harland

Accraply

9350 W Broadway Avenue, Suite 190 +1 (763) 557-1313
Minneapolis, MN 55445 USA accraply.com

