



# Accraply

A Barry-Wehmiller Packaging Company

Stanford Doctor Machine®

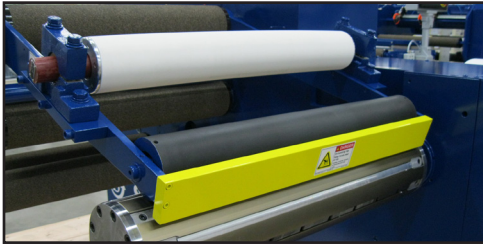
## 142HD Doctor Machine®



### Features

- Cantilevered design eases operation without the need to handle shafts
- Automatic tension control
- Rider roll for density control
- Automatic web guide
- Bowed roll for web separation after slitting
- AC Vector drive system
- Web break detection
- Programmable stop and early stop length
- Pneumatic trimming

# Stanford / 142HD Doctor Machine®



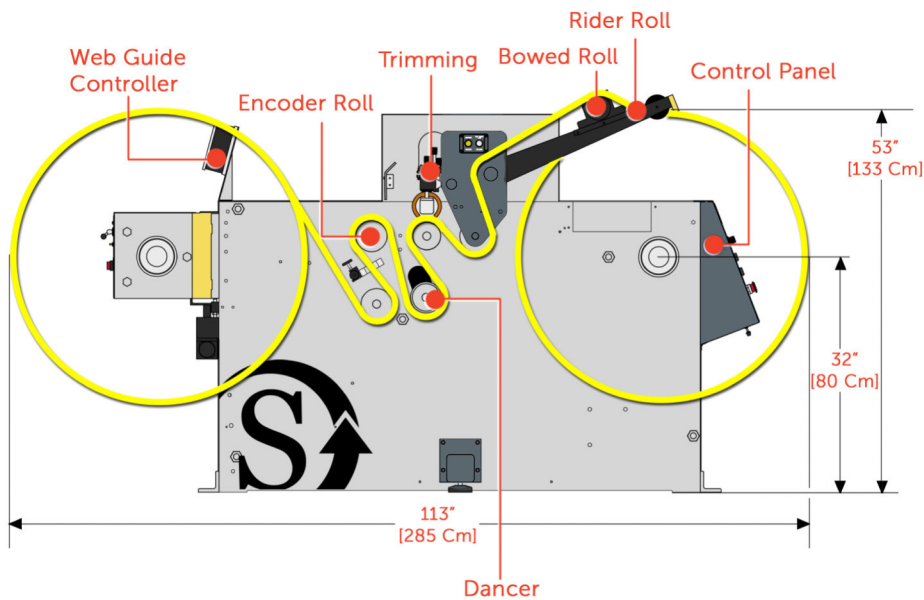
## The Original Heavy-Duty Doctor Machine®...

the Stanford 142HD provides an efficient method of salvaging defective material. Doctoring capabilities include the correction of telescoped rolls, removing defective stock, repairing splices, re-tensioning loose rolls, edge trimming and butt roll rewinding.

The range of materials easily handled by this model includes papers, self-adhesive label stock, polystyrene and stable film laminates.

Accraply engineers a large selection of Stanford Doctor Machines®, a complete line of duplex differential slitter rewinders and shrink sleeve finishing equipment, as well as customized equipment.

Minimum Web Width	24" [102mm]
Maximum Web Width	24" [610mm]
Maximum Web Speed*	1,500 fpm [457 mpm]
Maximum Unwind Diameter	42" [1,067mm]
Maximum Roll Weight	500 lbs [227 Kg]
Maximum Rewind Diameter	42" [1,067mm]
Tension	1.5 PLI [0.26 Kg/cm]
Total Minimum Tension	12 lbf [6.2 Kgf]
Trimming Options	Razor Shear
Machine Options	Static Elimination Strobe



\* Max speed is a function of the material characteristics (including COF, coatings, ink adhesion, curing, and drying), gauge bands, tension and web width.

Accraply

Trine

Stanford

Graham

Sleevit

Harland

BW Packaging Systems represents the collective capabilities of Barry-Wehmiller packaging companies including, Accraply, BW Flexible Systems, BW Integrated Systems, Pneumatic Scale Angelus and Synerlink. Through their diverse capabilities, these companies can collectively provide everything from a single piece of equipment to fully integrated packaging systems for a wide range of industries, including: food and beverage, personal care, container manufacturing, pharmaceutical and medical devices, household products, paper products and textiles, industrial and automotive, and converting, printing and publishing. For more information, go to [BWPackagingSystems.com](http://BWPackagingSystems.com)

